

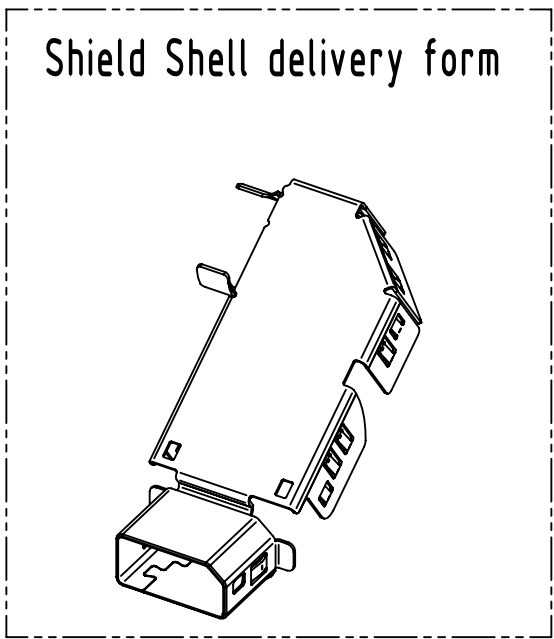
Applicable cable	
Items	Applicable condition
Conductor size	AWG 22
Insulation O.D.	Ø1,4 to 1,6 mm
Braid Shield	Tin plating
Sheath O.D.	Ø5,5mm - Ø7,2mm

Pin	10/100 Mbit/s	1/10 Gbit/s
1	TX+	BI_DA+
2	TX-	BI_DA-
3	N.C.	N.C.
4	N.C.	BI_DC+
5	N.C.	BI_DC-
6	RX+	BI_DB+
7	RX-	BI_DB-
8	N.C.	N.C.
9	N.C.	BI_DD+
10	N.C.	BI_DD-

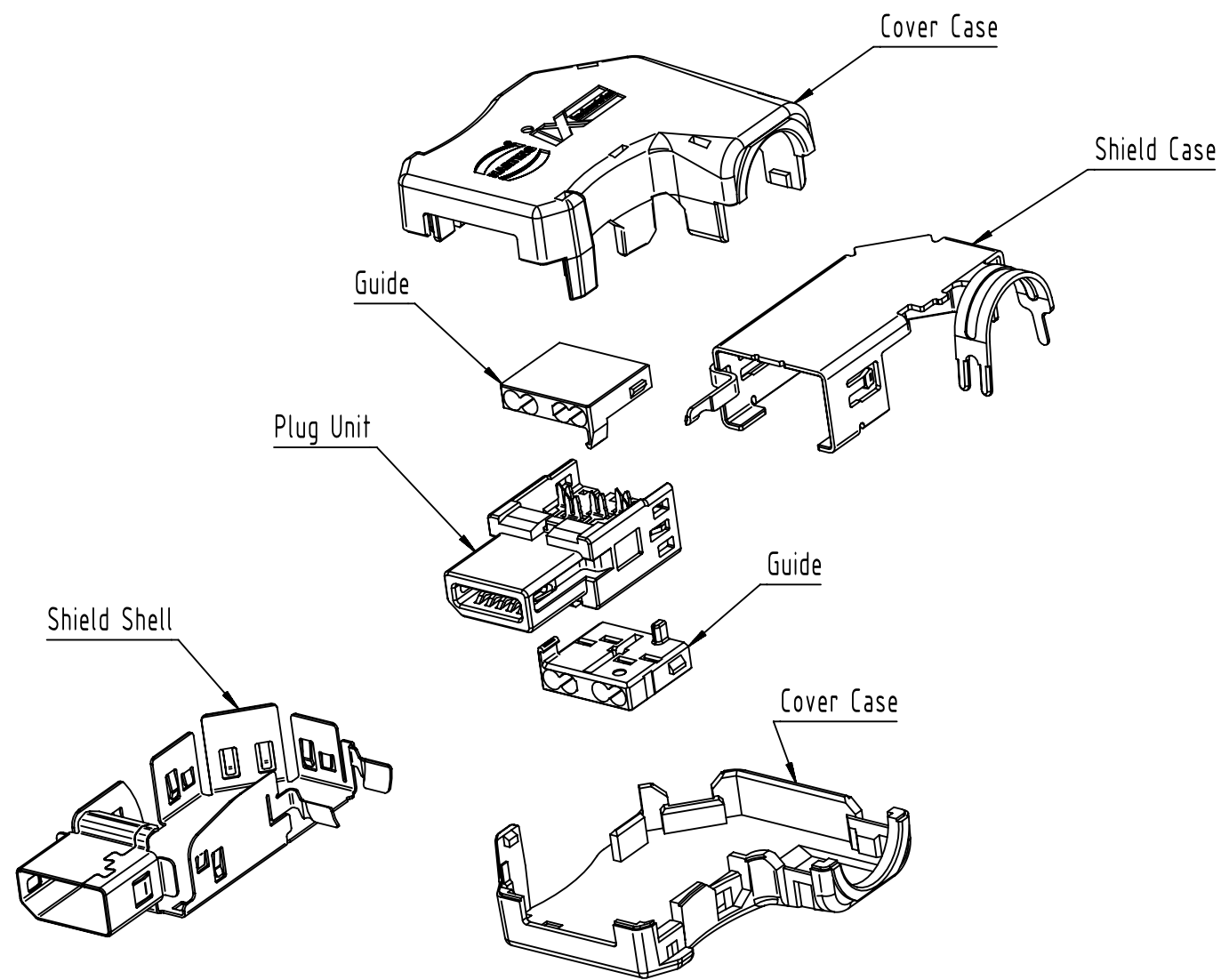
Contact material: copper alloy
 Contact area: Gold 0,2µm min.
 Wiring area: Gold 0,03µm min.
 Under plating: Nickel 2µm min.

	All rights reserved		Created by	Inspected by	Standardisation	Date	State
	Department EL PD		BALSAN	PREOTU	RUETERA	2022-06-30	Final Release
HARTING		Title				Doc-Key / ECM-Nr.	
D-32339 Espelkamp		ix Industrial 10A-1 plug A3-I22				101010869/UGD/000/A 500000219077	
		Type	Number		Rev.	Page	
		TB	09451812588XL		A	1/2	

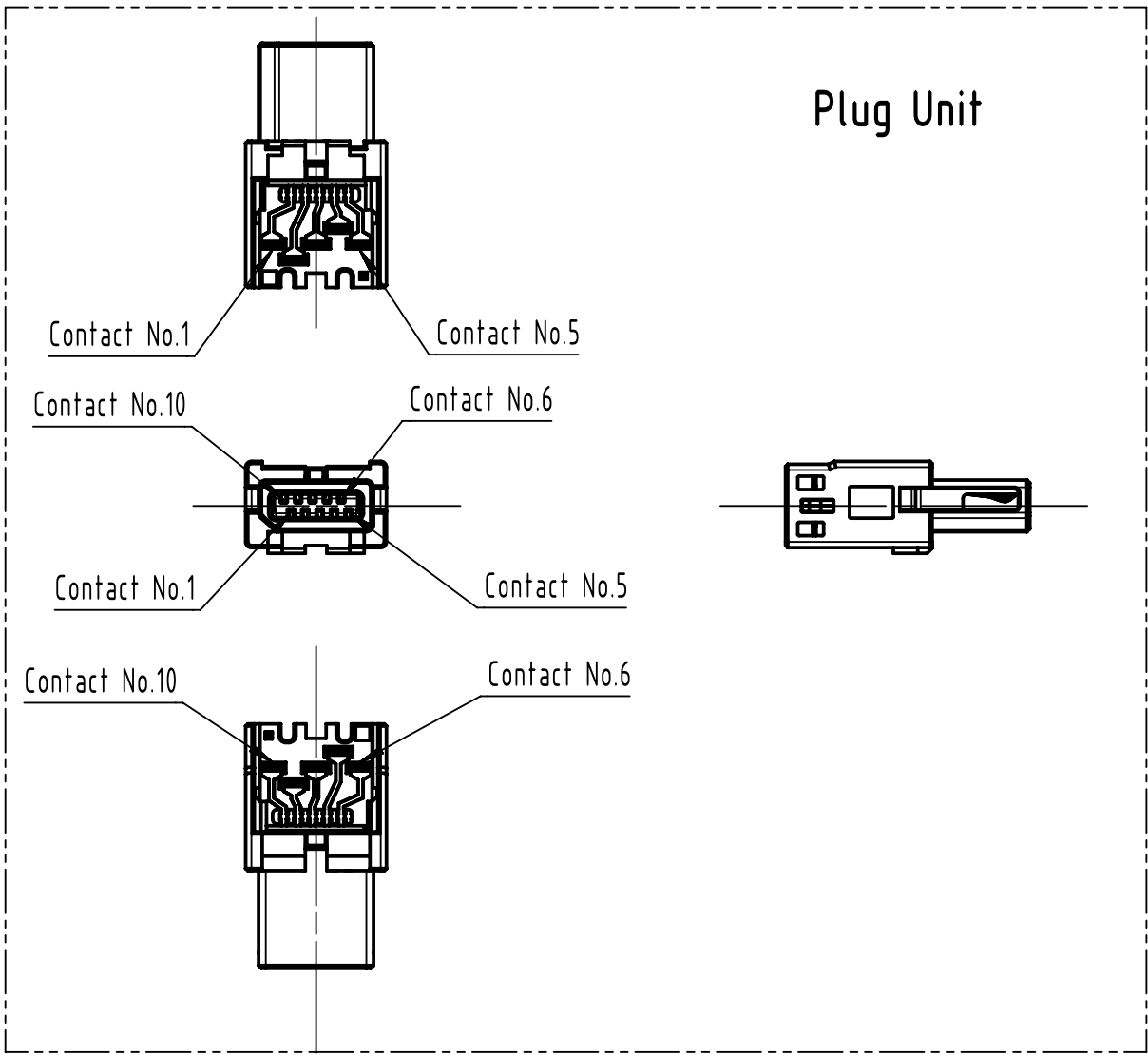
Shield Shell delivery form



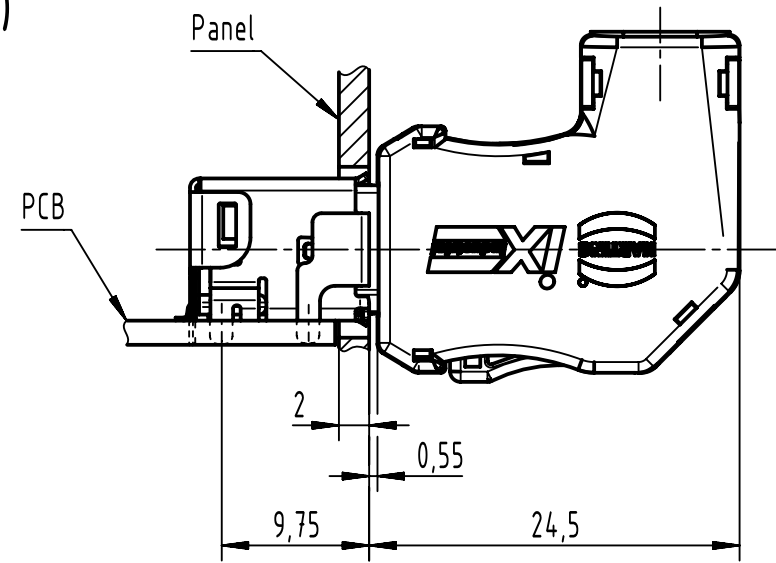
Product Structure



Plug Unit



Mating condition (2:1)



	All Dimensions in mm Original Size DIN A3		Scale 2:1	Free size tol.		Ref.
	All rights reserved		Created by BALSAN	Inspected by PREOTU	Standardisation RUETERA	Date 2022-06-30
Department EL PD		Title ix Industrial 10A-1 plug A3-I22			State Final Release	
HARTING D-32339 Espelkamp		Type TB	Number 09451812588XL		Doc-Key / ECM-Nr. 101010869/UGD/000/A 500000219077	Rev. A Page 2/2